



*"Build it Tight, Ventilate it Right!"*

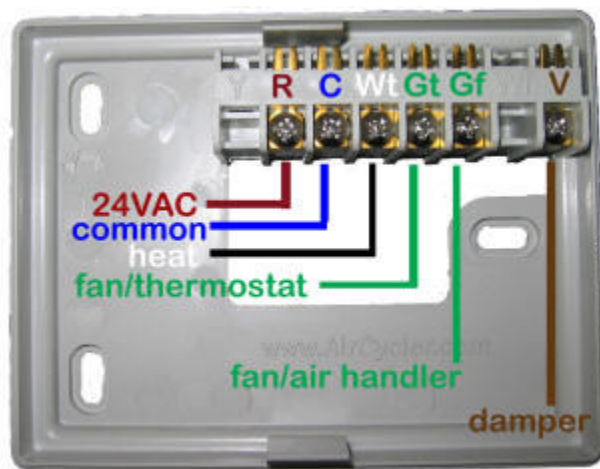
# AirCycler™ FR

## Installation and Setup

Disconnect power to the central system air handling unit before installing the AirCycler. Failure to do so could cause personal injury and harm to electrical components.

The AirCycler can be installed anywhere in the home. Its attractive design will allow installation in finished areas, for example, near the thermostat, or it can be installed out-of-view, for example, near the central air handler unit. The wiring configuration can vary depending on where the AirCycler is located and whether it is being installed in new construction or existing construction.

The following picture shows the connections necessary. In general, the 24 Vac power and common lines, and the heat line, are wired in parallel with the AirCycler, while the fan control line is broken by the AirCycler (wired in series).



## Setup

The AirCycler is setup using the three keys on the face of the control: Mode key (center), Up key (top), and Down key (bottom).

## **Operating Mode**

Once installation is complete and the AirCycler is properly powered with 24 Vac, the AirCycler will automatically enter Operating Mode. The factory default settings will be active (20 minutes of FAN OFF time followed by 10 minutes of FAN ON). The LCD display will indicate the current fan activity. If the thermostat has activated heating, cooling, or constant fan operation, the display will indicate fan on. Otherwise, the display will indicate that the fan is off and give the number of minutes remaining until the fan is activated by the AirCycler, or that the fan is on and give the number of minutes remaining until the fan is de-activated by the AirCycler.

## **Menu Mode**

To enter menu mode, press the Mode key. FAN ON will be flashing on the display. Increase or decrease the number of minutes that the AirCycler will operate the fan. The number of minutes can be set between 1 and 199, or, a setting of unlimited un can be selected. The unlimited setting can be useful if you want the AirCycler to operate the fan continuously after the FAN OFF delay has expired following a cooling or heating cycle.

## **Test Mode**

Test Mode is intended for use by trained technicians who are verifying or demonstrating the control operation. Test Mode can be entered while in Menu Mode by pressing and holding the Mode key for six seconds. Once in Test Mode, minutes become seconds, causing the fan off and fan on times to go sixty times faster than normal. The display will indicated TEST. To exit Test Mode and return to normal Operating Mode, turn the AirCycler off by holding the Mode key for two seconds, then press the Mode key once more to turn the AirCycler back on. The AirCycler will exit Test Mode automatically after ten minutes.

## **Turning the AirCycler off**

Although the AirCycler control should generally be turned on to provide the intended function of ventilation air distribution and whole-house mixing for improved indoor air quality and comfort, it may be desirable to turn the AirCycler off during extended vacation periods. While in Operating Mode, the AirCycler may be turned off by pressing and holding the Mode key for two seconds. To turn the AirCycler back on, press the Mode key. While the AirCycler is turned off, all thermostat functions will continue to operate normally.